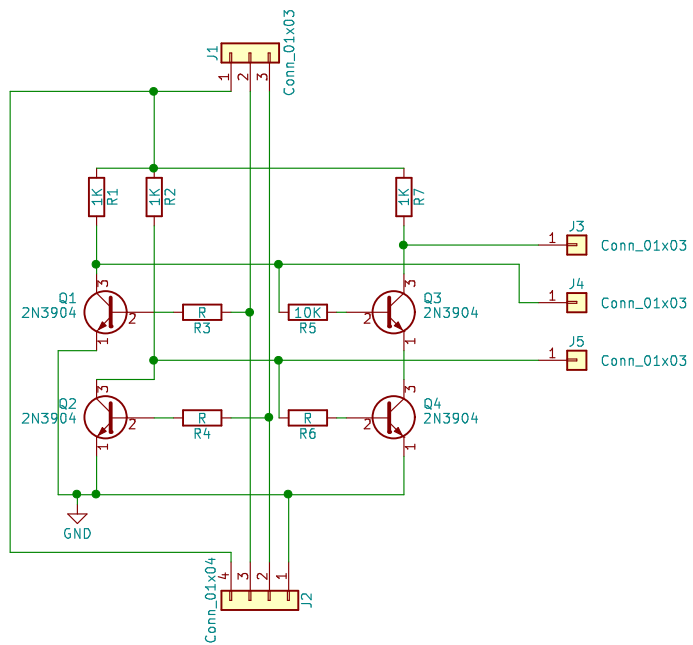


Sheet: /
 File: onyx-harness.sch

Title: Onyx Harness

Size: A4 Date: 2019-01-15
 KiCad E.D.A. kicad 4.0.7-e2-637658ubuntu16.04.1

Rev: A
 Id: 1/1

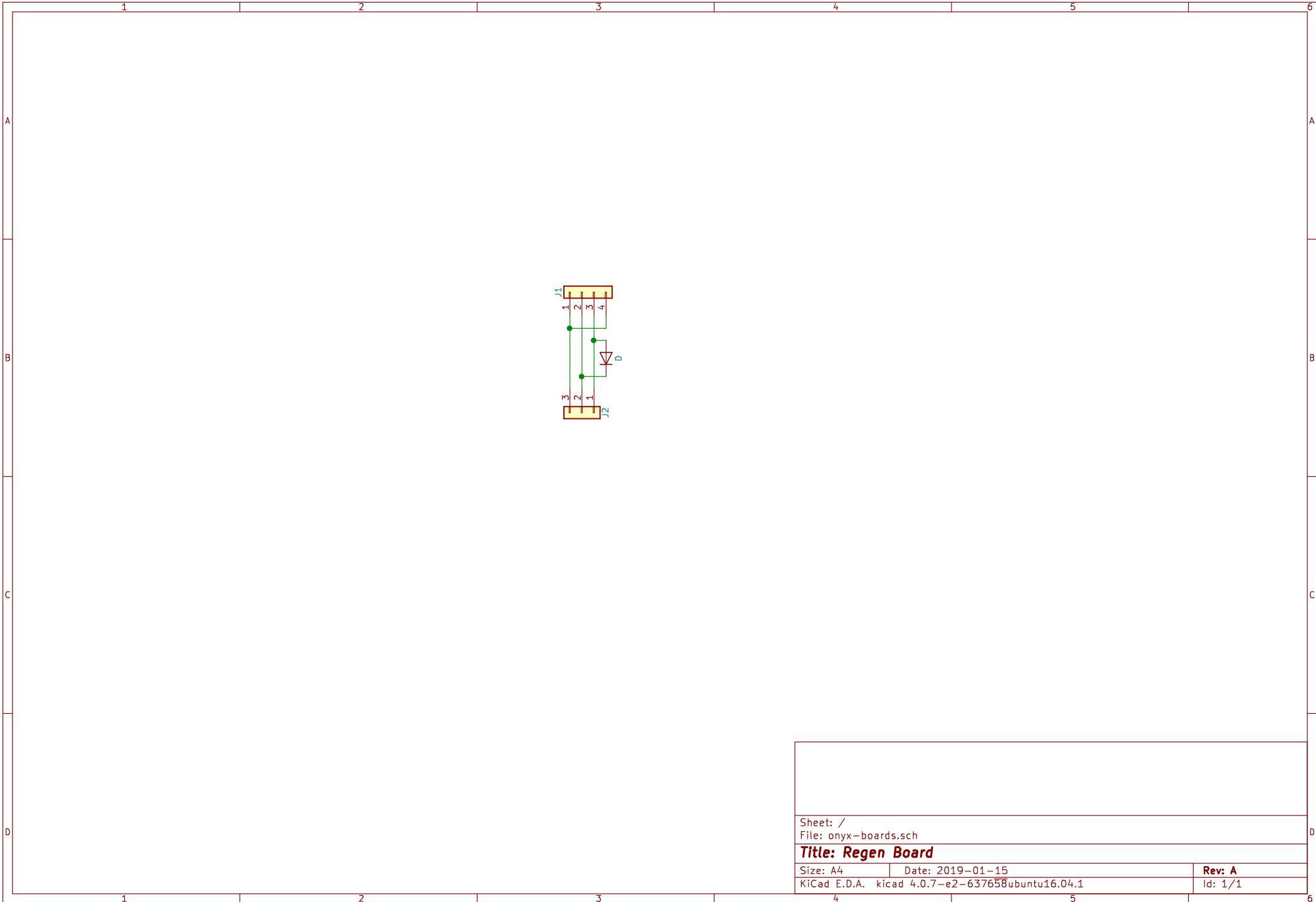


Sheet: /
 File: onyx-ridemode.sch

Title: Mode Board

Size: A4 Date: 2019-01-15
 KiCad E.D.A. kicad 4.0.7-e2-637658ubuntu16.04.1

Rev: A
 Id: 1/1



Sheet: /		
File: onyx-boards.sch		
Title: Regen Board		
Size: A4	Date: 2019-01-15	Rev: A
KiCad E.D.A. kicad 4.0.7-e2-637658ubuntu16.04.1		Id: 1/1